

# DATA SHEET SWING VOLUCRIS ROBINIA

Text for invitation to tender | Item No: 51 2020 601



## MATERIALS | SCOPE OF SUPPLY

Swing, mounted on location, fixation of the swing bar and chains necessary

Post: robinia, with post anchor made of galvanized steel, 4 pieces

Crossbar: robinia, 2 pieces

Swing bar: robinia, 1 piece

Swing birdnet: Usacord Ø 120 cm, 1 piece

Swing suspension: chain and Herkules-rope, length approx. 1.40 m

## TECHNICAL INFORMATION

Dimensions:

Main dimension: 3600 x 1755 mm  
tolerance: ± 150 mm

Height: 2200 mm  
tolerance: ± 150 mm

Weight: 320 kg

Capacity: acc. to normative requirements

Dimension largest piece: Ø180 x 3500 mm

Heaviest piece: 56 kg

Max. fall height: 1300 mm

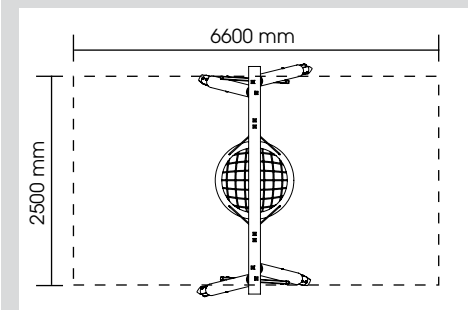
Impact protection

Impact area: 16,50 m<sup>2</sup>

Required safety slabs: 15,00 m<sup>2</sup>

Required lawn grating: 18,00 m<sup>2</sup>

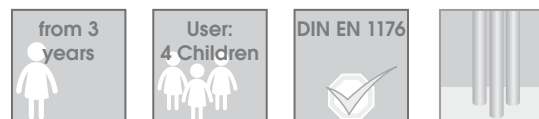
Recommended surface material: sand, wood chip, gravel, synth. impact protection



## INSTALLATION

Foundations: 4

Installation according to our detailed mounting instructions, see [www.stilum.com](http://www.stilum.com)



Please note the material information in the mounting- and maintenance instruction.

