

# DATA SHEET CLIMBING EQUIPMENT VIGO 1

Text for invitation to tender | Item No: 51 6001 401



## MATERIALS | SCOPE OF SUPPLY

Climbing equipment, pre-mounted completely

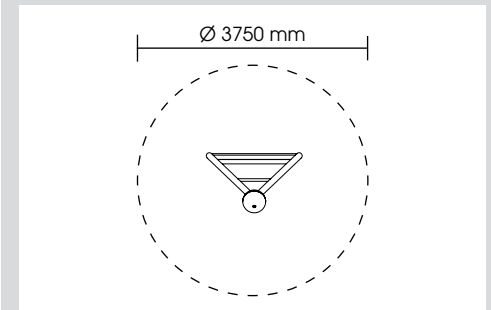
Tubular frame:	stainless steel, V2A, 1 piece, with 4 climbing bars
Tube end cap:	ball made of EPDM granules, 1 piece
Foundation anchor:	galvanized steel

## TECHNICAL INFORMATION

Dimensions:

Main dimension:	750 x 470 mm
Height:	2240 mm
Weight:	63 kg
Capacity:	acc. to normative requirements
Dimension largest piece:	750 x 480 x 2700 mm
Heaviest piece:	58 kg

Max. fall height:	1280 mm
Impact area:	11,00 m <sup>2</sup>
Required safety slabs:	16,00 m <sup>2</sup>
Required lawn grating:	16,00 m <sup>2</sup>
Recommended surface material:	sand, wood chip, gravel, synth. impact protection



## INSTALLATION

Foundations: 1

Modified installation depth possible  
(special edition)

Installation according to our detailed mounting  
instructions, see [www.stilum.com](http://www.stilum.com)

