

DATA SHEET MULTIPLAY SURA 4A

Text for invitation to tender | Item No: 51 7530 601



MATERIALS | SCOPE OF SUPPLY

Multiplay, final installation on location

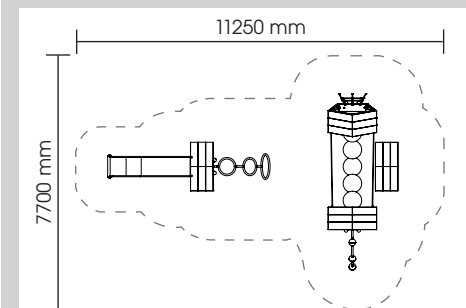
Posts:	stainless steel, V2A, 4 pieces
Wendy house:	robinia, 4 pieces
Climbing net:	Herkules rope/plastic, 1 piece
Rope rail:	Herkules rope/plastic, 2 pieces
Balance plate:	stainless steel, V2A with 5 steel plateaus which surface is made of EPDM granules, 1 piece
Climbing balls:	stainless steel, V2A, with 3 balls made of EPDM granu- les, 1 piece
Slide:	stainless steel, V2A, 1 piece
Slide caps:	plastic, 2 pieces
Climbing eye:	stainless steel, V2A, 1 pc.
Foundation plates:	steel, coated

TECHNICAL INFORMATION

Dimensions:

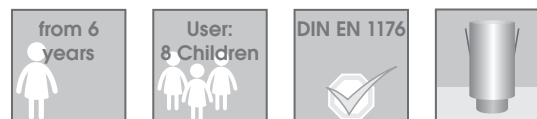
Main dimension:	4700 x 7760 mm
Height:	2630 mm
Weight:	985 kg
Capacity:	acc. to normative requirements
Dimension largest piece:	2295 x 600 x 1300 mm
Heaviest piece:	110 kg

Max. fall height:	1500 mm
Impact area:	52,57 m ²
Required safety slabs:	min. 61,25 m ² (□ 71,00 m ²)
Required lawn grating:	min. 70,00 m ² (□ 75,00 m ²)
Recommended surface material:	sand, wood chip, gravel, synth. impact protection



INSTALLATION

Foundations: 5
Installation according to our detailed mounting instructions, see www.stilum.com



Please note the material information in the mounting- and maintenance instruction.

