

DATA SHEET HORIZONTAL BAR SUPRA 1

Text for invitation to tender | Item No: 55 1514 401

MATERIALS | SCOPE OF SUPPLY

Play equipment, pre-mounted completely

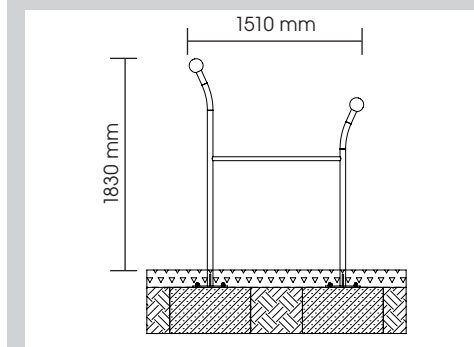
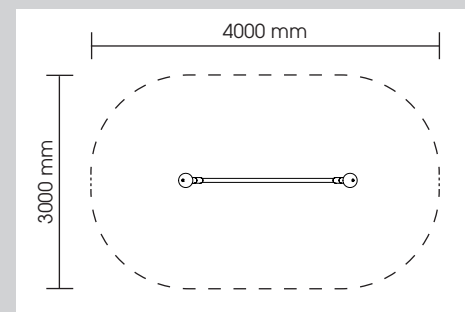
Tubular frame:	stainless steel, V2A
Tube end caps:	balls made of EPDM caoutchouc, 2 pieces
Foundation plate:	steel, coated

TECHNICAL INFORMATION

Dimensions:

Main dimension:	1510 x 120 mm
Height:	1830 mm
Weight:	37 kg
Capacity:	acc. to normative requirements
Dimension largest piece:	1510 x 300 x 1980 mm
Heaviest piece:	37 kg

Max. fall height:	1000 mm
Impact area:	10,32 m ²
Required safety slabs:	12,00 m ²
Required lawn grating:	12,00 m ²
Recommended surface material:	synth. impact protection



INSTALLATION

Foundations: 2

Installation according to our detailed mounting instructions, see www.stilum.com

