

# DATA SHEET HORIZONTAL BAR SUPRA 1 ROBINIA

Text for invitation to tender | Item No: 55 1514 601



## MATERIALS | SCOPE OF SUPPLY

Play equipment, nearly pre-mounted;  
final installation on location

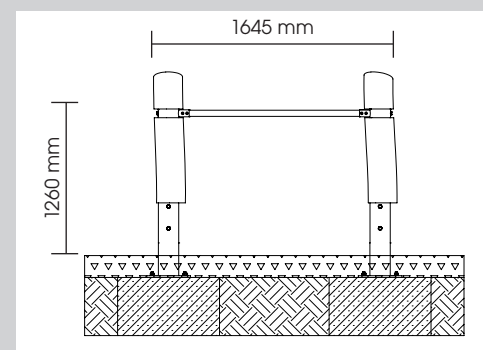
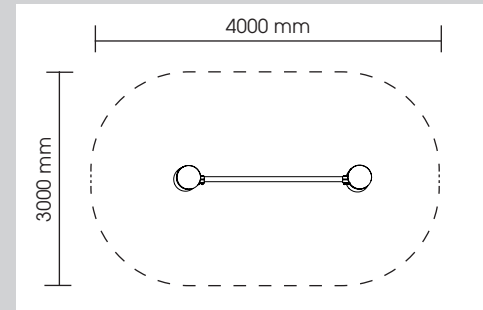
Posts:	robinia, with pedestal made of stainless steel, 2 pieces
Horizontal bar:	stainless steel, V2A, 1 piece
Foundation plate:	steel, coated

## TECHNICAL INFORMATION

Dimensions:

Main dimension:	1645 x 200 mm
Height:	1260 mm
Weight:	78 kg
Capacity:	acc. to normative requirements
Dimension largest piece:	300 x 300 x 1410 mm
Heaviest piece:	35 kg

Max. fall height:	1000 mm
Impact area:	10,32 m <sup>2</sup>
Required safety slabs:	12,00 m <sup>2</sup>
Required lawn grating:	12,00 m <sup>2</sup>
Recommended surface material:	synth. impact protection



## INSTALLATION

Foundations: 2

Installation according to our detailed mounting  
instructions, see [www.stilum.com](http://www.stilum.com)



Please note the material information in the mounting- and maintenance instruction.