

DATA SHEET SWING SIMIUS 6

Text for invitation to tender | Item No: 51 2029 401



MATERIALS | SCOPE OF SUPPLY

Swing, final installation on location, fixation of the swing chains necessary

Tubular frame: stainless steel, V2A
with EPDM caoutchouc-
ball at the end of each
tube, 6 pieces

Swing seat: EPDM caoutchouc with
steel inlay, 6 pieces

Chains: stainless steel
1,80 m,
each seat 2 pieces

Foundation plates: steel, coated

TECHNICAL INFORMATION

Dimensions:

Main dimension: Ø11300 mm
Height: 2450 mm
Weight: 740 kg
Capacity: acc. to normative requirements
Dimension largest piece: 2330 x 600 x 2900 mm
Heaviest piece: 110 kg

Max. fall height: 1400 mm

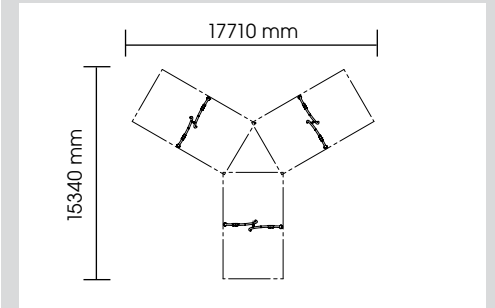
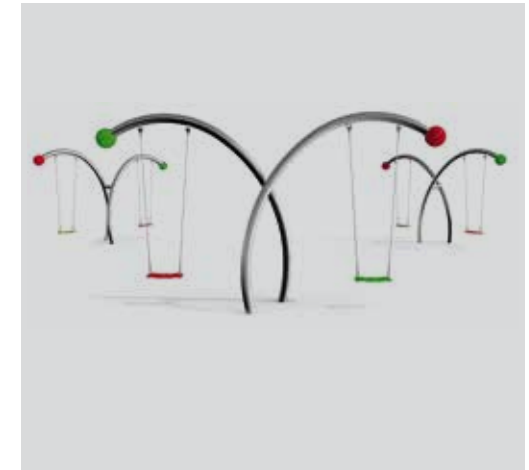
Impact protection

Impact area: 103,00 m²

Required safety slabs: 94,50 m²

Required lawn grating: 120,00 m²

Recommended
surface material: sand, wood chip, gravel, synth.
impact protection



INSTALLATION

Foundations: 3

Installation according to our detailed mounting
instructions, see www.stilum.com

