

DATA SHEET MULTIPLAY SILVA 3

Text for invitation to tender | Item No: 51 5522 601



MATERIALS | SCOPE OF SUPPLY

Multiplay, final installation on location

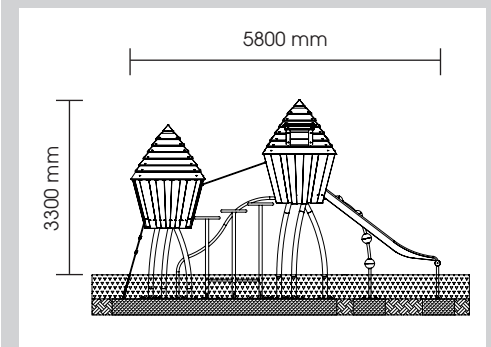
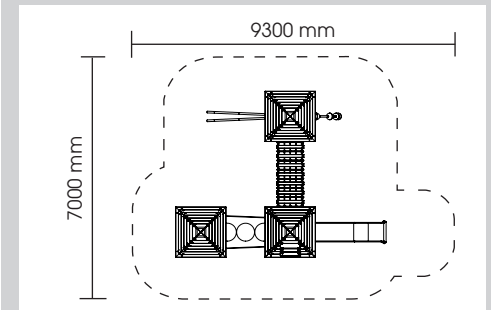
Posts:	stainless steel, V2A, 3 pieces
Wendy house:	robinia, 3 pieces
Climbing net:	Herkules rope/plastic, 1 piece
Rope rail:	Herkules rope/plastic, 2 pieces
Balance plate:	stainless steel, V2A with 3 steel plateaus which surface is made of EPDM granules, 1 piece
Sliding bow:	stainless steel, V2A, 1 piece
Climbing balls:	stainless steel, V2A, with 4 balls made of EPDM granules, 1 piece
Slide:	stainless steel, V2A, 1 piece
Slide caps:	plastic, 2 pieces
Wobble bridge:	Herkules rope / plastic / wood 1 piece
Foundation plates:	steel, coated

TECHNICAL INFORMATION

Dimensions:

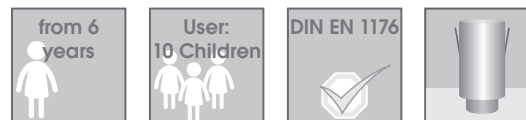
Main dimension:	4560 x 5800 mm
Height:	3300 mm
Weight:	1140 kg
Capacity:	acc. to normative requirements
Dimension largest piece:	1380 x 1380 x 1935 mm
Heaviest piece:	216 kg

Max. fall height:	1500 mm
Impact area:	52,40 m ²
Required safety slabs:	min. 56,75 m ² (□ 66,50 m ²)
Required lawn grating:	min. 61,00 m ² (□ 70,00 m ²)
Recommended surface material:	sand, wood chip, gravel, synth. impact protection



INSTALLATION

Foundations: 5
 Installation according to our detailed mounting instructions, see www.stilum.com



Please note the material information in the mounting- and maintenance instruction.