

# DATA SHEET SWING ORBIS

Text for invitation to tender | Item No: 51 2010 401

## MATERIALS | SCOPE OF SUPPLY

Swing, pre-mounted,  
fixation of the chains necessary

Tubular frame: stainless steel, V2A,  
1 piece

Swing seat: EPDM caoutchouc with  
steel inlay, 1 piece

Chains: stainless steel  
1,40 m, 2 pieces

Foundation plates: steel, coated

## TECHNICAL INFORMATION

Dimensions:

Main dimension: 2500 x 700 mm

Height: 2100 mm

Weight: 116 kg

Capacity: acc. to normative requirements

Dimension largest piece: 2410 x 1150 x 2550 mm

Heaviest piece: 112 kg

Max. fall height: 1200 mm

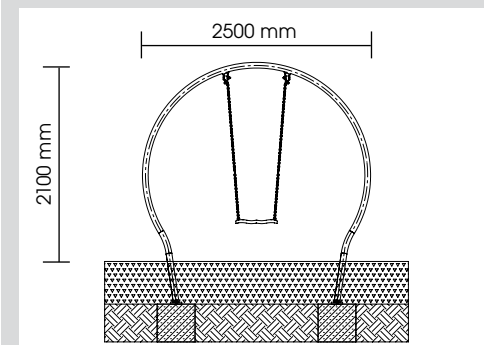
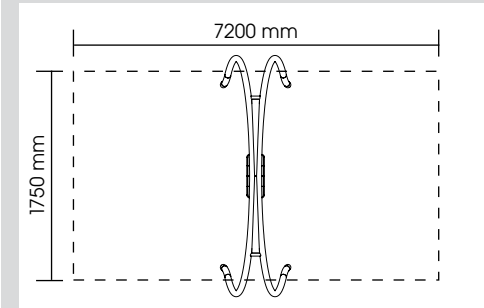
Impact protection

Impact area: 12,60 m<sup>2</sup>

Required safety slabs: 13,00 m<sup>2</sup>

Required lawn grating: 14,00 m<sup>2</sup>

Recommended  
surface material: sand, wood chip, gravel, synth.  
impact protection



## INSTALLATION

Foundations: 2

Modified installation depth possible  
(special edition)

Installation according to our detailed mounting  
instructions, see [www.stilum.com](http://www.stilum.com)

