

Mounting instructions for toddler element „mons Ø2300“

Item No. 35 2370 xx1

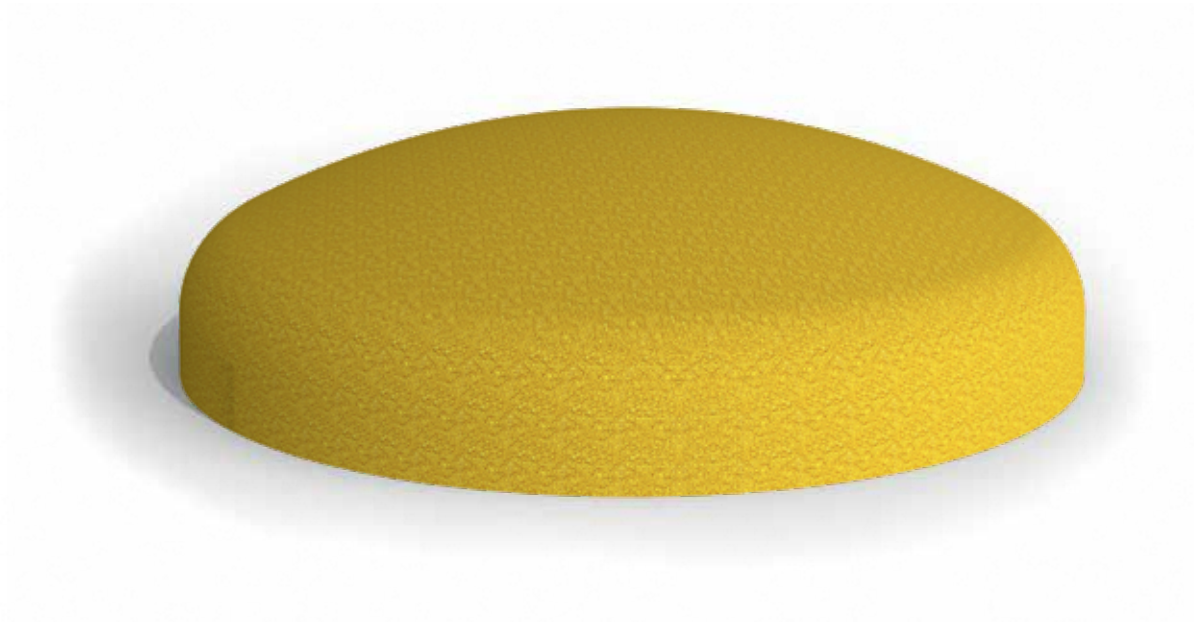
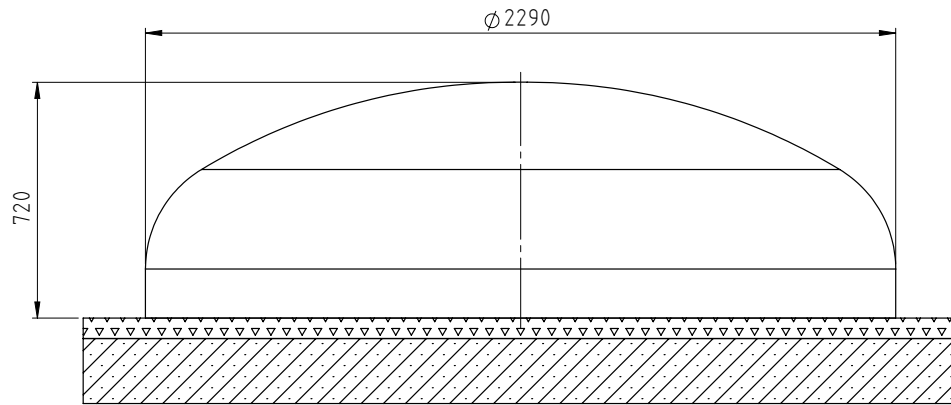


Diagram 1: Overall view of the play equipment

Mounting instructions for toddler element „mons Ø2300“

Item No. 35 2370 xx1



Legende

 stoßdämpfender Boden
shock-absorbing floor

 Beton
concrete

 gewachsenes Erdreich
natural ground

Diagram 2: Installation

1. Select the location of the play equipment taking into account the required minimum space (see diagram 3).
2. Toddler elements are placed on the existing surface (solid surface) and glued to it according to the gluing instructions.
Recommended surface material: synth. impact protection.

3. Gluing instructions:

Preparation of the subsoil

Please pay attention that the adhesion areas are free from oil, grease, dirt and other residues e.g. paint etc.

Processing like silicone. Do not open the lid, just press it.

Preparation of the cartridge

Push the membrane into the threaded piece and screw on the cut-to-size plastic nozzle. Remove the bottom plate of the cartridge with a screw driver and insert the cartridge into hand or with a compressed air pistol.

Gluing

The adhesion follows on a complete cleaned subsoil with glueing points on the bottom of the element. The application thickness and amount depends on the nature of the materials to be bonded. The surface and environment temperature must be at least 5°C. The element should only be installed in dry weather conditions. Adhesive cartridges should not be stored under 10 °C. Please pay attention that the element is not moved for 48 hours.

Requirement

For approx. 3 m² contact surface 1 cartridge à 370 g is needed.

4. Do not allow children to use the equipment before the adhesive has fully hardened.

Mounting instructions for toddler element „mons Ø2300“

Item No. 35 2370 xx1

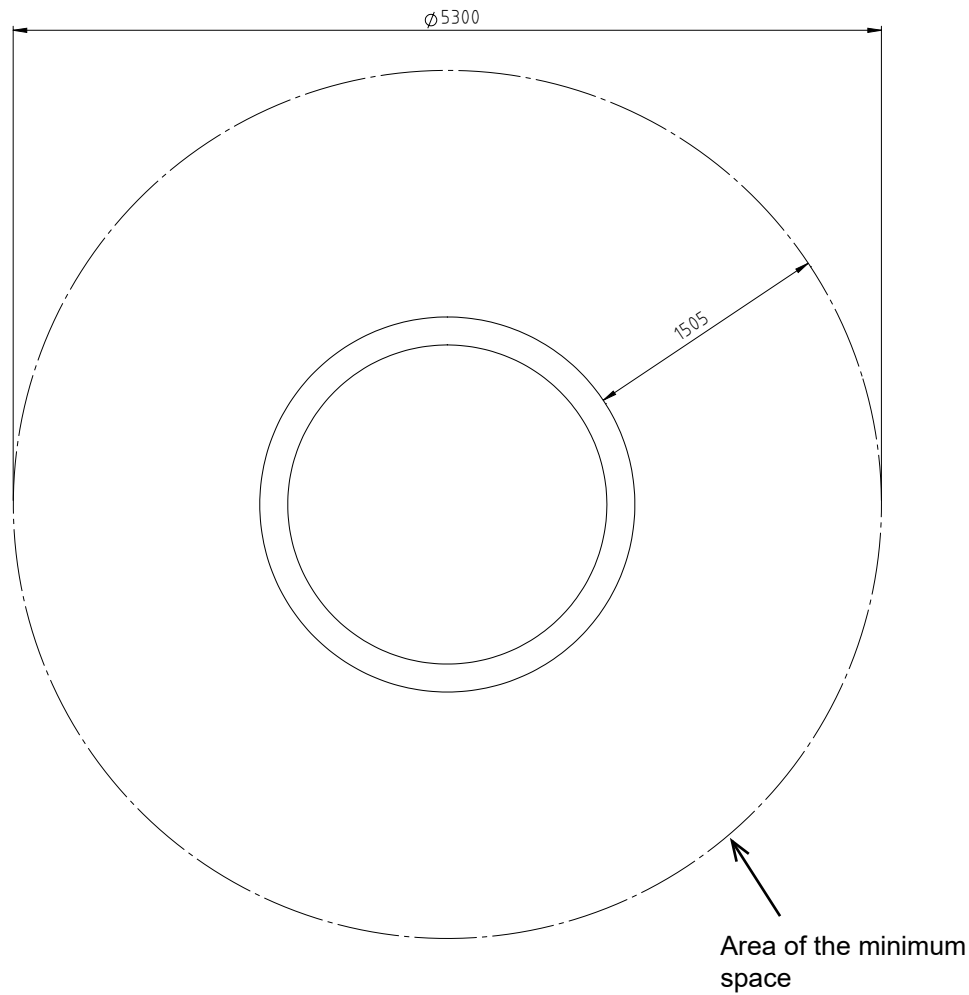


Diagram 3: Top view

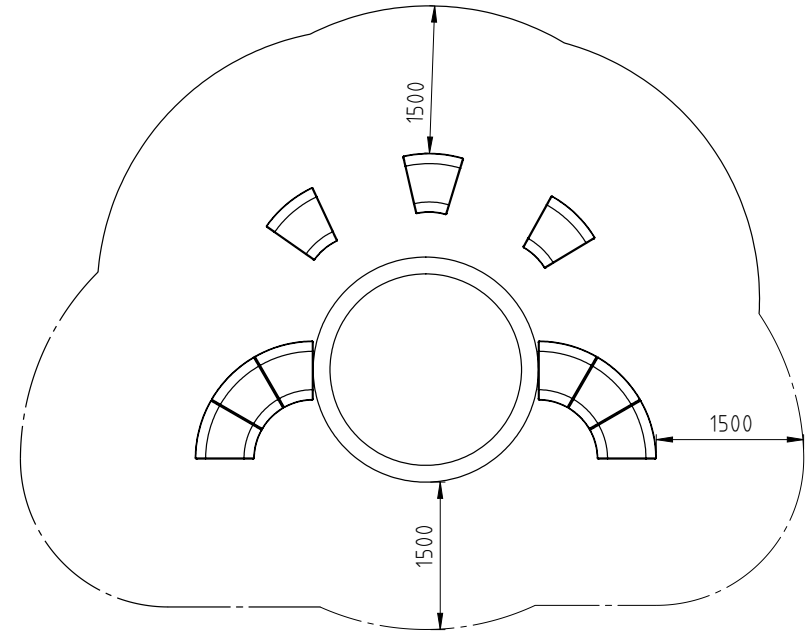


Diagram 4: Possibility of Installation