

Mounting instructions for table tennis „ludo“

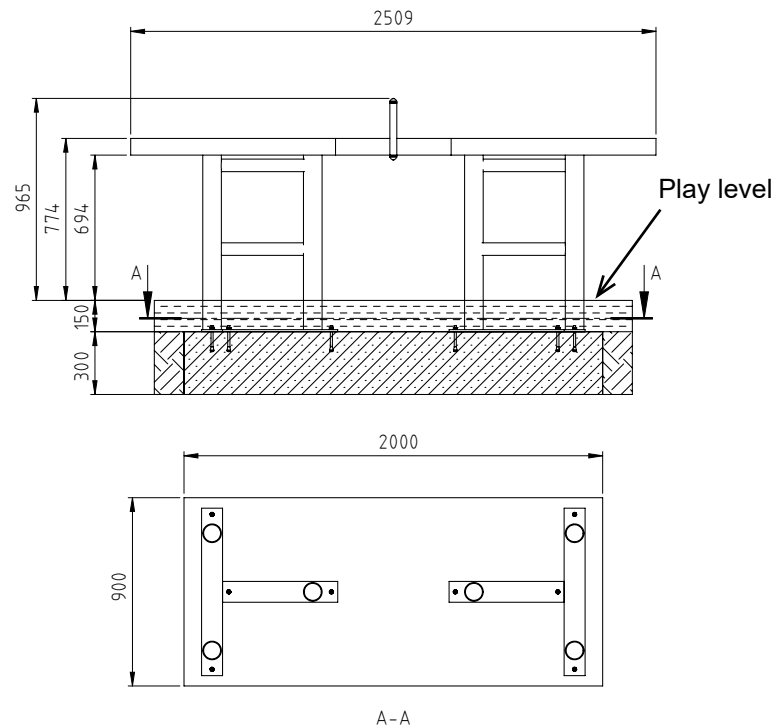
Artikel-Nr. 55 3010 401



Diagram 1: Overall view of the sports equipment

Mounting instructions for table tennis „ludo“

Artikel-Nr. 55 3010 401



Legende





-  stoßdämpfender Boden
shock-absorbing floor
-  beliebiger Boden
optional floor
-  Beton
concrete
-  gewachsenes Erdreich
natural ground

Diagram 2: Foundation plan

1. Select the sports equipment location in consideration of the recommended play area (see diagram 3).
2. Carry out excavation work for one foundation as shown in diagram 2. After excavation compress the foundation floor.
Note: Pay attention to items marked „play level“ at the equipment!
3. Set up the concrete foundation acc. to diagram 2 with central, horizontal reinforcement.

Reinforcement plan: Concrete foundation with reinforcement

Foundation: BSt 500S

Stirrups \varnothing 8 mm lengthwise and cross

Concrete cover $h' = 3$ cm

Concrete quality class C 20/25

4. After a setting period of 10 – 14 days, depending on weather conditions and foundation size, fill up and compress the holes between the foundation and the foundation hole with excavation.
5. Clean the foundation surface. Align the table tennis and fix it onto the foundation using the heavy duty dowels included in the delivery.
6. Cover the foundation with the choosed groundmaterial. The ground should be smooth and free of edges.
The foundation has to be constructed that there is no danger (stumble, jar). It should be ensured that it would not be uncovered by erosion.
7. Do not allow to use the equipment before the installation has been finished.

Mounting instructions for table tennis „ludo“

Artikel-Nr. 55 3010 401

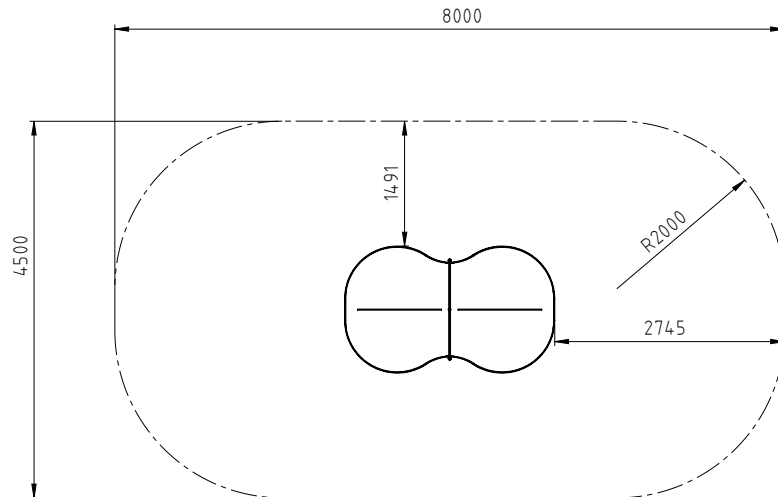


Diagram 3: Top view

Attention: If the sports equipment has been incompletely installed or partly dismantled when carrying out maintenance and repair work, this may lead to particular risks of injury for the user. For this reason, make clearly visible that the equipment shall not be used in such cases.

NOTE: Sports equipment, which contain components made of stainless steel should not come with „normal“ steel parts in contact. Those steel parts may rub off and leave small steel particles in combination with moisture brown rust stains. If such corrosion occur on stainless steel parts, they are fine with an abrasive (240 grit) to remove.

Please take care when transporting and setting up the fact that the components are made of stainless steel with no „normal“ steel parts in contact.

In order to preserve a good visual appearance of your stilum sports equipment over a long period one should take care of maintenance of the stainless surface even despite of their corrosion resistance.

Especially areas, which can not be reached by rainfall should be frequently cleaned from dirt and deposits due to air pollution and dirt caused by the atmosphere. Light soiling can easily be removed by using a high pressure cleaner.

For persistent deposits use a clean cloth moistened with a special liquid cleaner (e.g. on phosphoric acid) and rinse off with clear water after a short application time. During cleaning with mild abrasive components, only wipe over stainless steel surface in polishing direction.

For heavily soiled surfaces, polishes can be used (e.g. for cleaning chrome on cars) or for greasy and oily dirt alcoholic cleaning agents and solvents (e.g. ethyl alcohol, isopropyl alcohol or acetone).

However, it should be noted that the dissolved soiling is not spread over the surface again.

Do not use any chlorid or hydrochloric containing cleaning products nor scouring powder, bleaching - or silver polish cleaner. Cleaning intervals depend on type and degree of soiling as well as on demands made on optical characteristics. Therefore cleaning is advisable at intervals of six to twelve months – whereby in the case of strong soiling it is appropriate to clean the equipment at intervals of three to six months.