

Mounting instructions for multiplay „gravis 1C“

Item-No. 51 5519 404



Diagram 1: Overall view of the play equipment

Mounting instructions for multiplay „gravis 1C“

Item-No. 51 5519 404

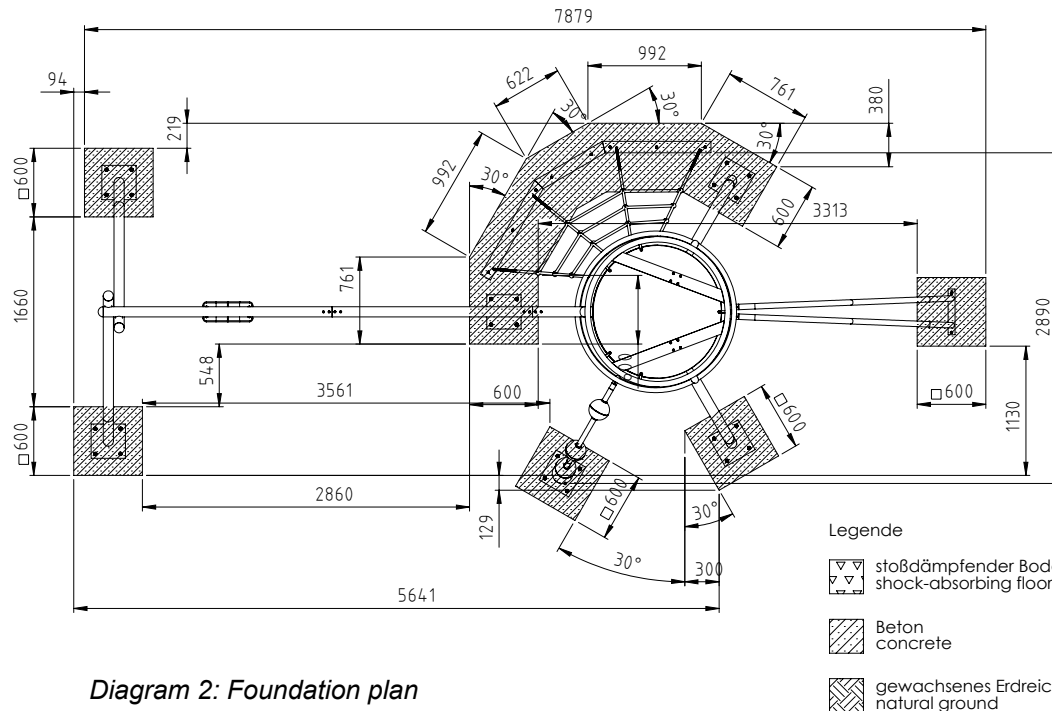
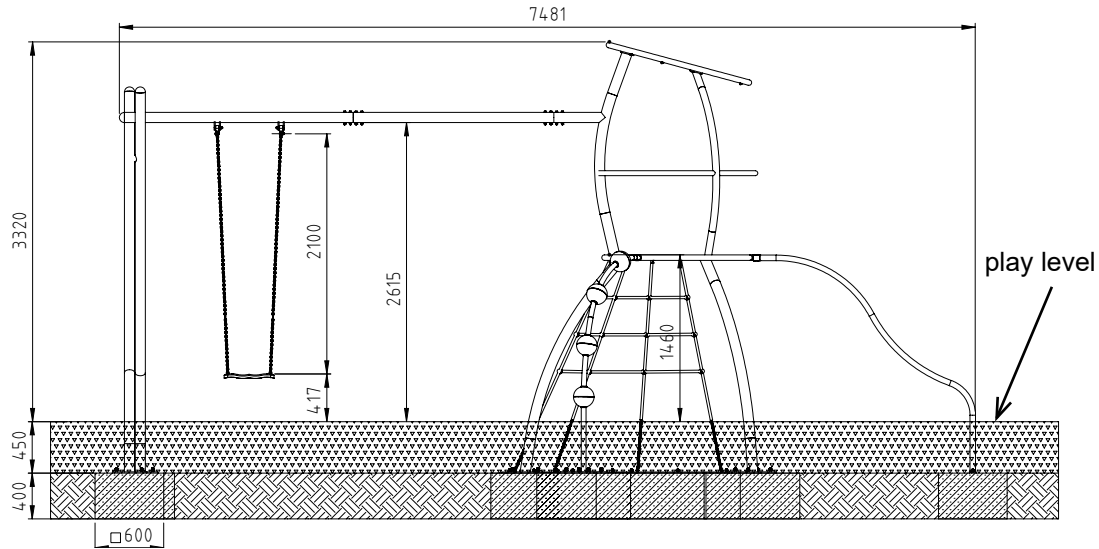


Diagram 2: Foundation plan

1. Select the location of the play equipment taking into account the required minimum space (see diagram 3).
2. The impact area of a playground equipment with an enforced movement is not allowed to overlap the impact area of other equipment. According to DIN EN 1176-1, 4.2.8.5.2 shock-absorbing floors must be made on the entire impact area of every equipment that cause forced movement.
3. Carry out excavation work for foundations as shown in diagram 2. After excavation compress the foundation floor.
Note: The play equipment is installed at play level.
Pay attention to items marked „play level“ at play equipment!
4. Set up the foundations acc. to diagram 2 with central, horizontal reinforcement.

Reinforcement plan:

Concrete foundation with reinforcement

Foundation: BSt 500S

Stirrups Ø 8 mm lengthwise and cross

Concrete cover $h' = 3$ cm

Concrete quality class C 25/30

5. After a setting period of 10 – 14 days, depending on weather conditions and foundation size, fill up and compress the holes between the foundation and the foundation hole with excavation.

Mounting instructions for multiplay „gravis 1C“

Item-No. 51 5519 404

Area of the minimum space =
Impact surface when using natural floors with a
shock-absorbing effect.
When using synthetic impact protection the impact area
shortens in the direction of the swing by 500 mm each.
The minimum space remains preserved in its entirety.

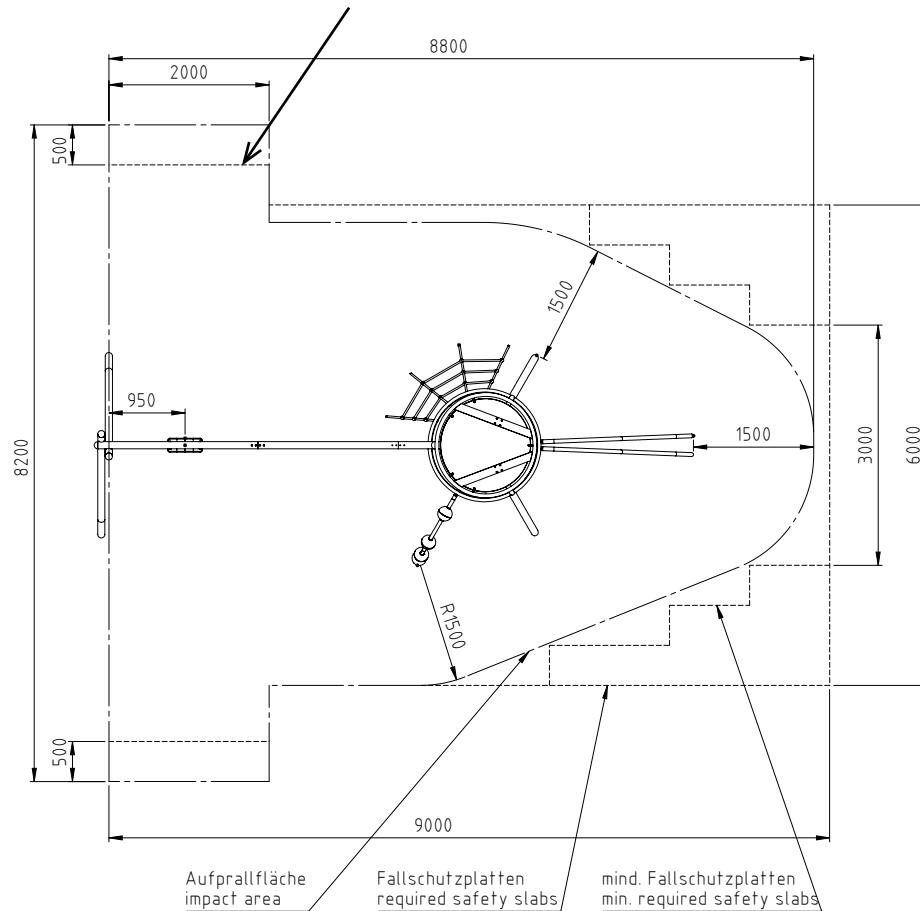


Diagram 3: Top view

6. Clean the foundation surface. Connect the platform to the posts according to diagram 1, 4a and 4b and fix the parts using the screws including in the delivery.
7. Align the tower on the foundation as shown in diagram 1 and 2.
Note: Do not screw the base plates onto the foundations yet!
8. Connect the sliding bow and climbing balls (diagram 5c and 5d) with the tower at the intended locations acc. to the diagram 1. Please fasten the parts using the screws including in the delivery.
9. Connect the climbing net (diagram 5a) with the tower at the intended locations acc. to the diagram 1 and 2 and place the foundation plate on top of the foundation. Please fasten the parts using the shackles including in the delivery.
10. Set up the swing frame. Insert the supplied bolts halfway into the swing frame tubes and screw them together (diagram 5b). Attach chains with swing seat to the swing suspension.
11. Align the play equipment once more on the foundations.
Note: The climbing net should be placed with tension to avoid droop.
12. Drill holes into all foundations and screw the play equipment to the foundations using the included heavy-duty dowels.

Mounting instructions for multiplay „gravis 1C“

Item-No. 51 5519 404

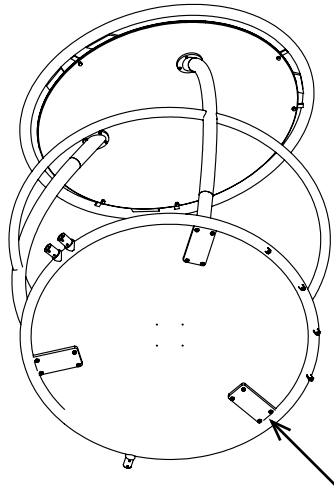


Diagram 4a: Platform

connection post

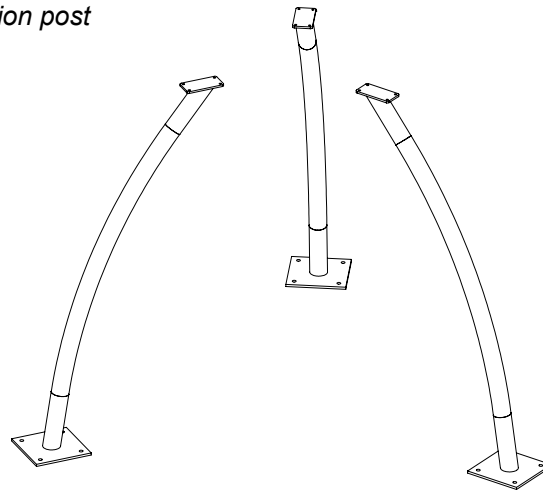


Diagram 4b: Posts

13. Cover the entire impact area with fall protection according to the required drop height in accordance with EN 1176-1.
Free fall height: max. 1500 mm
Recommended surface material: sand, wood chips, gravel, synth. impact protection.
With a smaller installation depth (special edition) we recommend synthetic impact protection. In this case, make sure that protruding parts (e.g. screws, gusset plates) are covered with appropriate fall protection.
14. Do not allow children to use the equipment before the installation has been finished.

Attention: If the play equipment has been incompletely installed or partly dismantled when carrying out maintenance and repair work, this may lead to particular risks of injury for the user. For this reason, make clearly visible that the equipment shall not be used in such cases.

NOTE: Play equipment, which contain components made of stainless steel should not come with „normal“ steel parts in contact. Those steel parts may rub off and leave small steel particles in combination with moisture brown rust stains.

If such corrosion occur on stainless steel parts, they are fine to remove with an abrasive (240 grit).

Please take care when transporting and setting up the fact that the components are made of stainless steel with no „normal“ steel parts in contact.

Mounting instructions for multiplay „gravis 1C“

Item-No. 51 5519 404

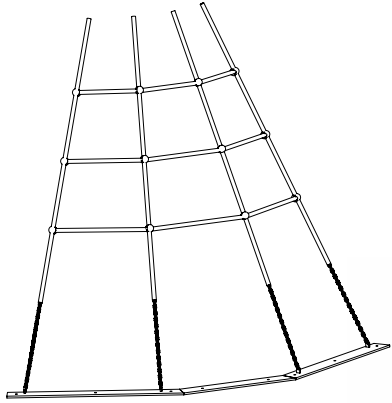


Diagram 5a: Connection part climbing net

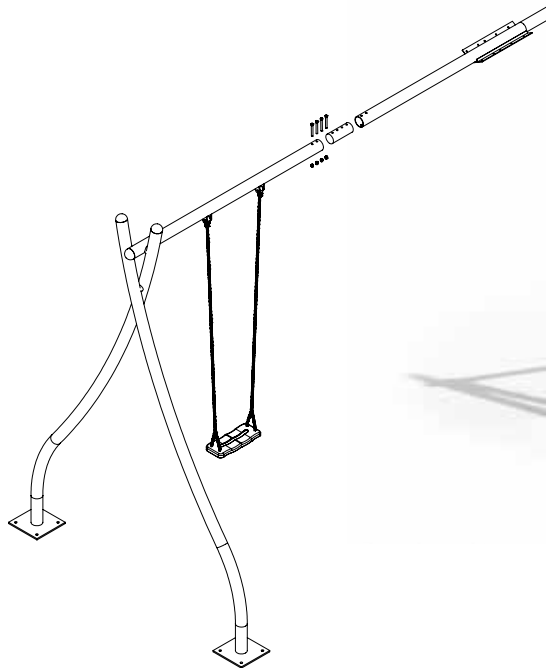


Diagram 5b: Connection part swing

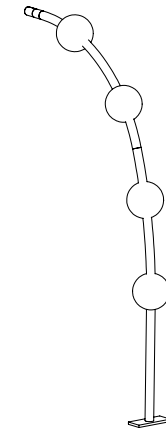


Diagram 5c: Connection part climbing balls

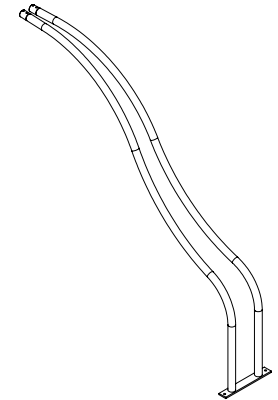


Diagram 5d: Connection part sliding bow

Mounting instructions for multiplay „gravis 1C“

Item-No. 51 5519 404



In order to preserve a good visual appearance of your stilum playground equipment over a long period one should take care of maintenance of the stainless surface even despite of their corrosion resistance.

Especially areas, which can not be reached by rainfall, should be frequently cleaned from dirt and deposits due to air pollution and dirt caused by the atmosphere. Light soiling can easily be removed by using a high pressure cleaner.

For persistent deposits use a clean cloth moistened with a special liquid cleaner (e.g. on phosphoric acid) and rinse off with clear water after a short application time. During cleaning with mild abrasive components, only wipe over stainless steel surface in polishing direction.

For heavily soiled surfaces, polishes can be used (e.g. for cleaning chrome on cars) or for greasy and oily dirt alcoholic cleaning agents and solvents (e.g. ethyl alcohol, isopropyl alcohol or acetone). However, it should be noted that the dissolved soiling is not spread over the surface again.

Do not use any chloride or hydrochloric containing cleaning products nor scouring powder, bleaching - or silver polish cleaner.

Cleaning intervals depend on type and degree of soiling as well as on demands made on optical characteristics.

Therefore cleaning is advisable at intervals of six to twelve months – whereby in the case of strong soiling it is appropriate to clean the playground equipment at intervals of three to six months.