

DATA SHEET CLIMBING EQUIPMENT COLLIS 2500 **stilum** play

Text for invitation to tender | Item No: 51 5511 402

MATERIALS | SCOPE OF SUPPLY

Climbing equipment, pre-mounted completely

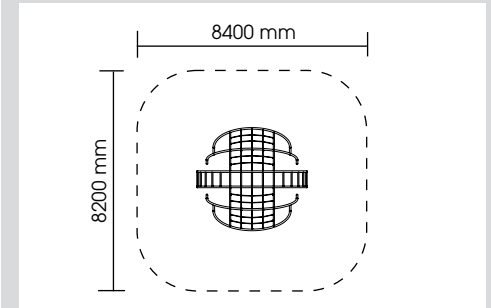
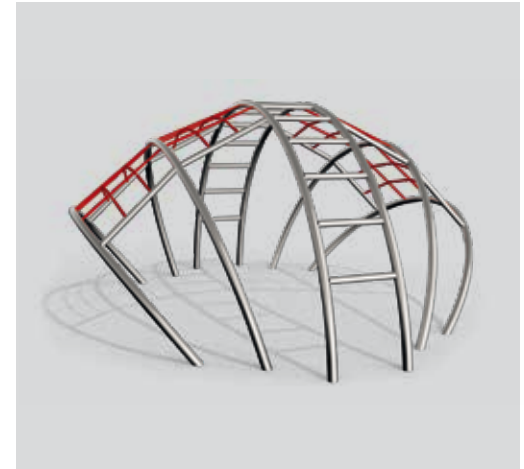
Rack:	stainless steel, V2A, 2 pieces
Climbing net:	Herkules rope / plastic, 4 pieces
Foundation plates:	steel, coated

TECHNICAL INFORMATION

Dimensions:

Main dimension:	4000 x 3730 mm
Height:	2500 mm
Weight:	330 kg
Capacity:	acc. to normative requirements
Dimension largest piece:	4200 x 2290 x 2940 mm
Heaviest piece:	229 kg

Max. fall height:	2500 mm
Impact area:	68,90 m ²
Required safety slabs:	72,25 m ²
Required lawn grating:	81,00 m ²
Recommended surface material:	sand, wood chip, gravel, synth. impact protection



INSTALLATION

Foundations: 2

Installation according to our detailed mounting instructions, see www.stilum.com

