

Mounting instructions for climbing equipment „collis 1900“

Item No. 51 5511 401

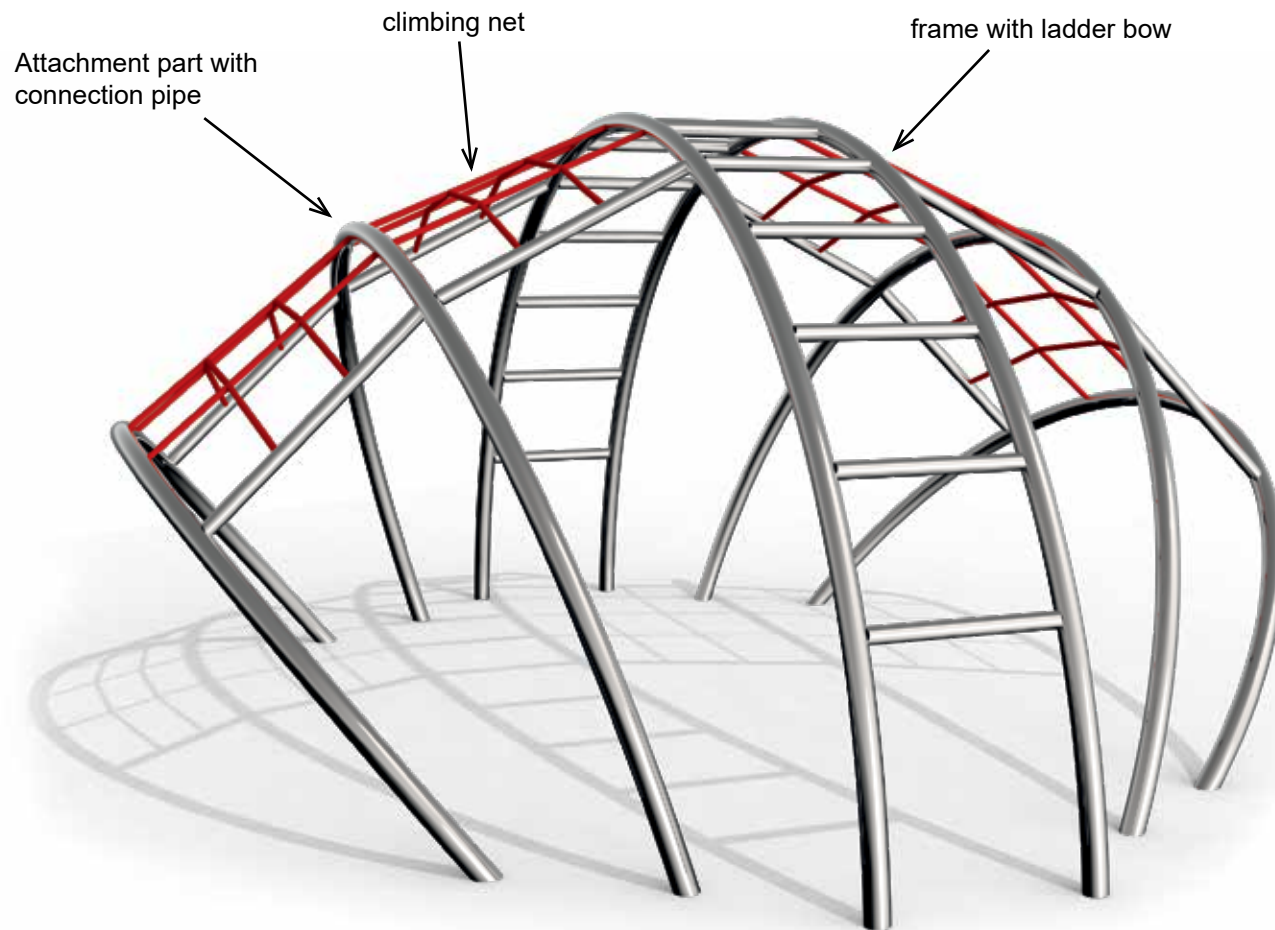
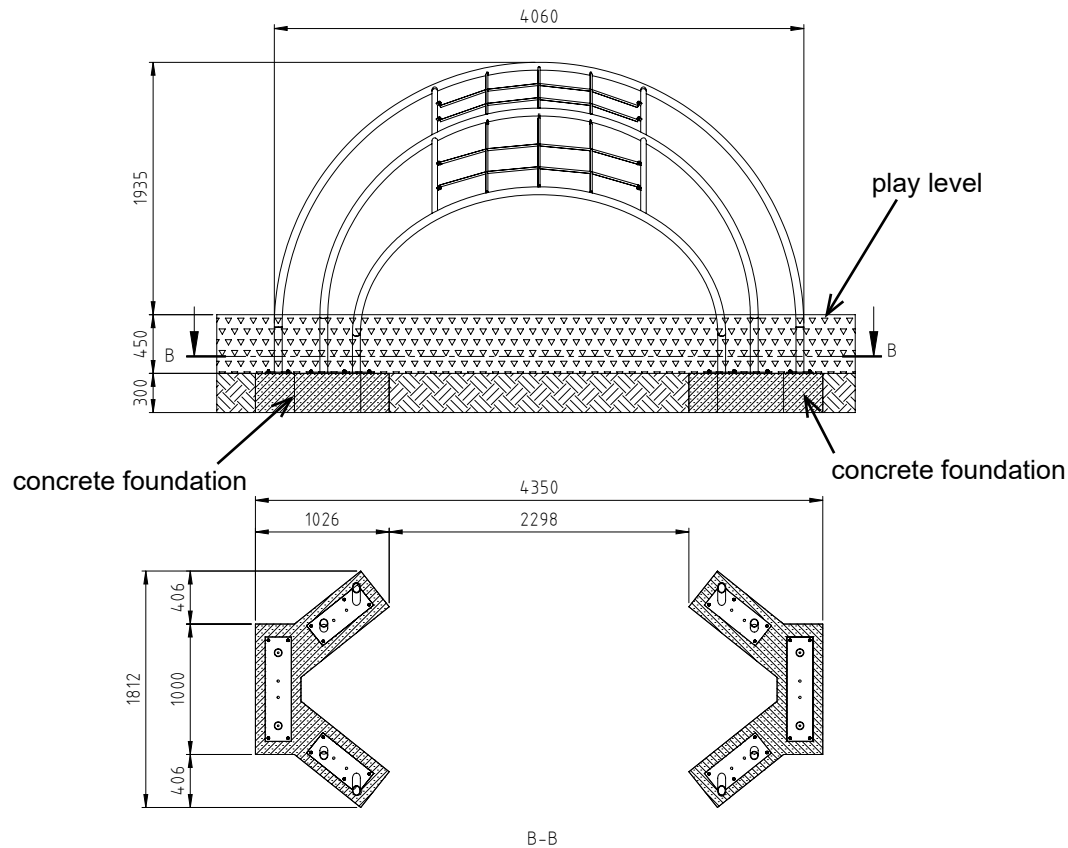


Diagram 1: Overall view of the play equipment

Mounting instructions for climbing equipment „collis 1900“

Item No. 51 5511 401



Legende

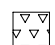


-  stoßdämpfender Boden
shock-absorbing floor
-  Beton
concrete
-  gewachsenes Erdreich
natural ground

Diagram 2: Foundation plan

1. Select the location of the play equipment taking into account the required minimum space (see diagram 4).
2. Carry out excavation work for the foundations as shown in diagram 2 and 3. After excavation compress the foundation floor. The climbing equipment is built in on the play level. Pay attention to items marked „play level“ of play equipment!
3. Set up the concrete foundations according to diagram 2 and 3 with central, horizontal reinforcement.

Reinforcement plan:

Concrete foundation with reinforcement

Main foundation: BSt 500S

1 mesh wire Q335 A (central)

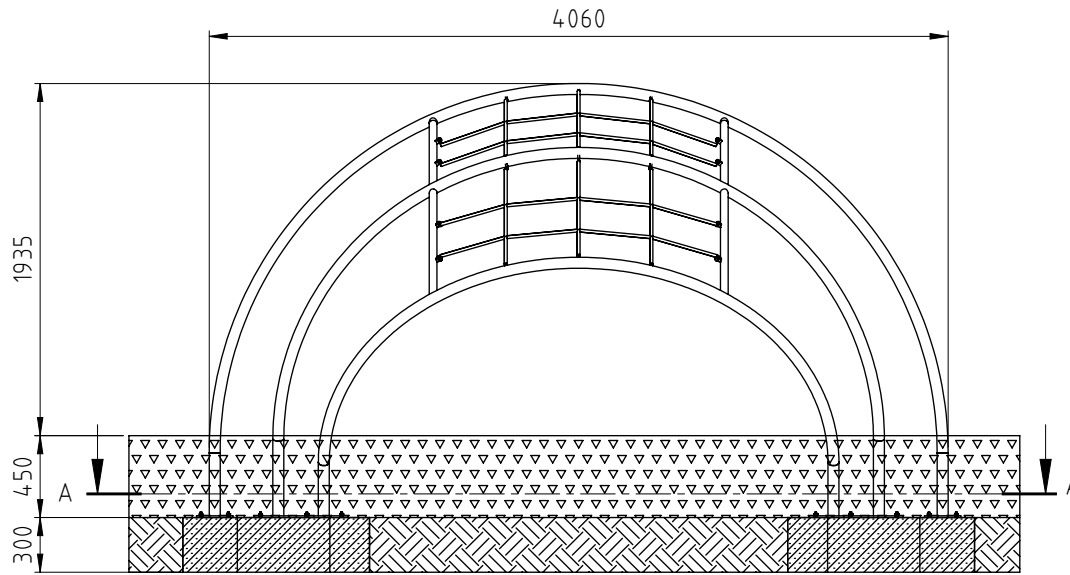
Concrete cover $h' = 3,5$ cm

Concrete quality class C 25/30

4. After a setting period of 10 – 14 days, depending on weather conditions and foundation size, fill up and compress the holes between the foundation and the foundation hole with excavation.
5. Clean the foundation surface and start with the installation of the climbing equipment.
6. Place the frame with the ladder bow onto the foundation (see diagram 1).
Note: Do not screw the base plates onto the foundations yet!
7. Arrange the Attachment part and plug the connection pipes with the adapters at the ladder bow. Screw it with the included screws from below.

Mounting instructions for climbing equipment „collis 1900“

Item No. 51 5511 401



8. Add the nets at one side, stretch it with turnings and fasten the nets using the shackles included in the delivery.
9. Align the play equipment once more on the foundations. Drill holes into all foundations and screw the play equipment into the foundations with the included heavy-duty dowels.
10. Cover the entire impact area with fall protection according to the required drop height in accordance with EN 1176-1.
Critical drop height: 1900 mm.
 Recommended surface material: sand, wood chip, gravel, synth. impact protection.
11. Do not allow children to use the equipment before the installation has been finished.

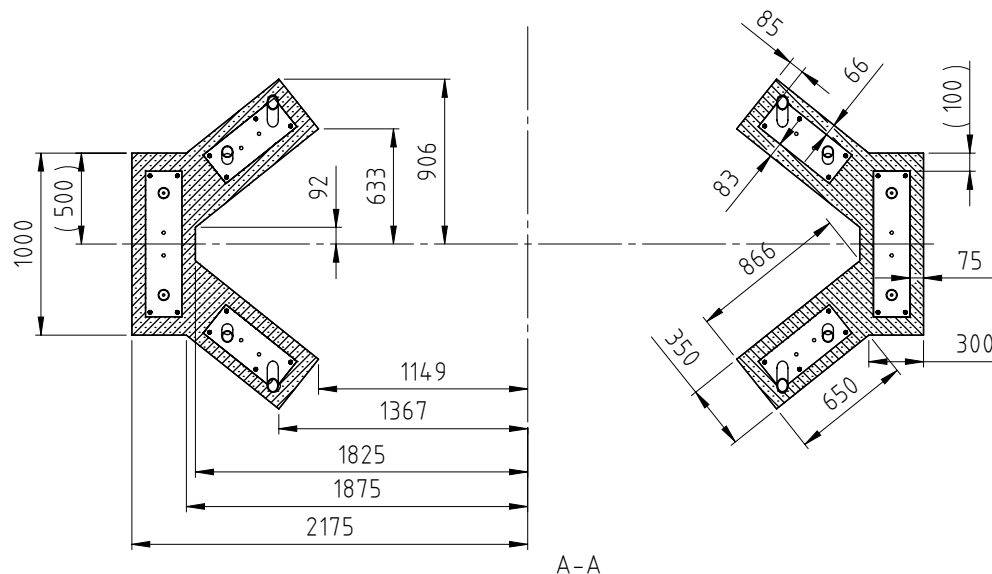


Diagram 3: Detail view foundation plan

Attention: If the play equipment has been incompletely installed or partly dismantled when carrying out maintenance and repair work, this may lead to particular risks of injury for the user. For this reason, make clearly visible that the equipment shall not be used in such cases.

NOTE: Play equipment, which contain components made of stainless steel should not come with „normal“ steel parts in contact. Those steel parts may rub off and leave small steel particles in combination with moisture brown rust stains. If such corrosion occur on stainless steel parts, they are fine with an abrasive (240 grit) to remove.

Please take care when transporting and setting up the fact that the components are made of stainless steel with no „normal“ steel parts in contact.

Mounting instructions for climbing equipment „collis 1900“

Item No. 51 5511 401

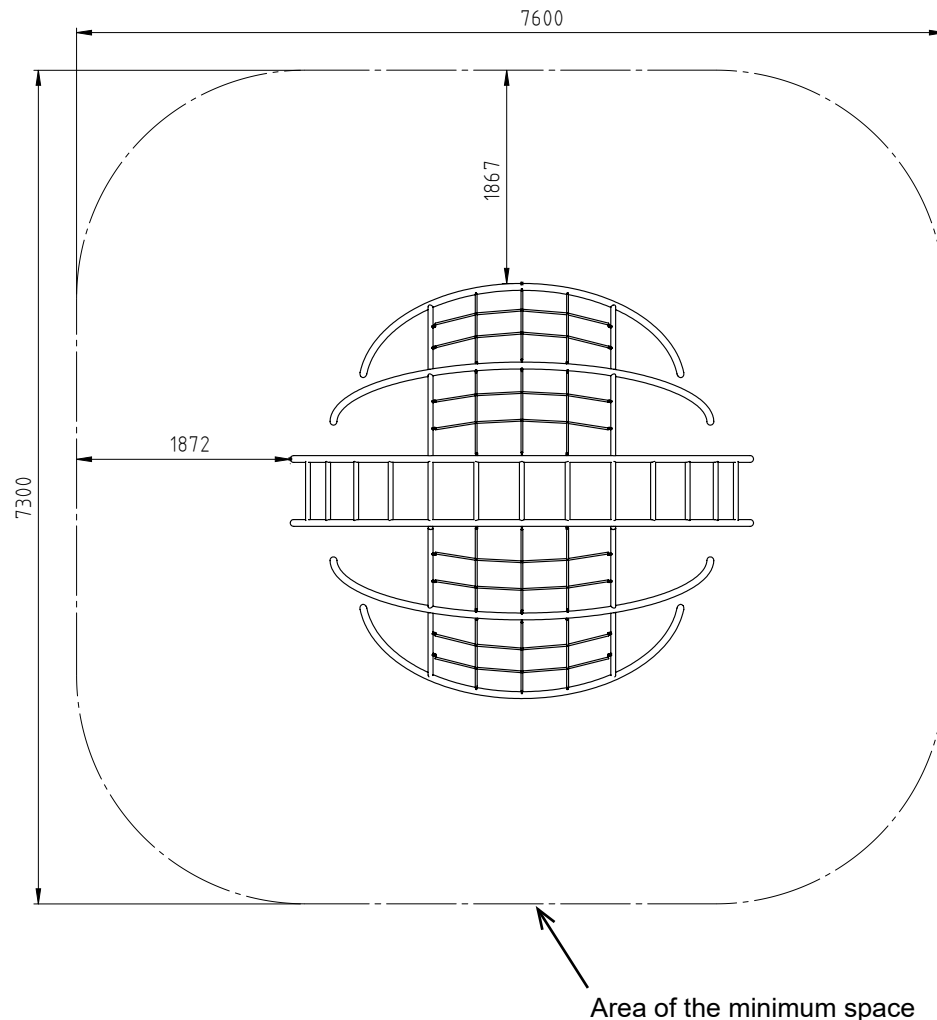


Diagram 4: Top view

In order to preserve a good visual appearance of your stilum playground equipment over a long period one should take care of maintenance of the stainless surface even despite of their corrosion resistance. Especially areas, which can not be reached by rainfall should be frequently cleaned from dirt and deposits due to air pollution and dirt caused by the atmosphere. Light soiling can easily be removed by using a high pressure cleaner. For persistent deposits use a clean cloth moistened with a special liquid cleaner (e.g. on phosphoric acid) and rinse off with clear water after a short application time. During cleaning with mild abrasive components, only wipe over stainless steel surface in polishing direction. For heavily soiled surfaces, polishes can be used (e.g. for cleaning chrome on cars) or for greasy and oily dirt alcoholic cleaning agents and solvents (e.g. ethyl alcohol, isopropyl alcohol or acetone). However, it should be noted that the dissolved soiling is not spread over the surface again. Do not use any chlorid or hydrochloric containing cleaning products nor scouring powder, bleaching - or silver polish cleaner. Cleaning intervals depend on type and degree of soiling as well as on demands made on optical characteristics. Therefore cleaning is advisable at intervals of six to twelve months – whereby in the case of strong soiling it is appropriate to clean the playground equipment at intervals of three to six months.