

DATA SHEET MERRY-GO-ROUND-CIRCULUS 4

Text for invitation to tender | Item No: 514014401



MATERIALS | SCOPE OF SUPPLY

Merry-go-round, pre-mounted completely

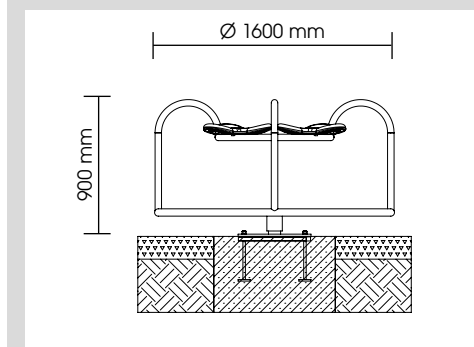
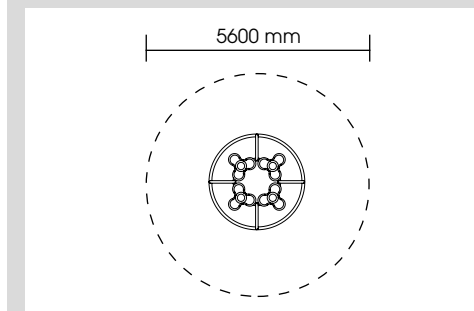
Flower seat:	EPDM caoutchouc with steel inlay, 4 pieces
Fixation of the seats:	stainless steel, V2A, 4 pieces
Handles:	stainless steel, V2A, 4 pieces
Base plate:	stainless steel, V2A coated with EPDM granules, ball bearing at the bottom
Foundation anchor:	galvanized steel

TECHNICAL INFORMATION

Dimensions:

Main dimension:	Ø 1600 mm
Height:	900 mm
Weight:	220 kg
Capacity:	acc. to normative requirements
Dimension largest piece:	Ø 1600 x 900 mm
Heaviest piece:	214 kg

Max. fall height:	710 mm
Impact area:	24,65 m ²
Required safety slabs:	36,00 m ²
Required lawn grating:	36,00 m ²
Recommended surface material:	grass, sand, wood chip, gravel, synth. impact protection



INSTALLATION

Foundations: 1

Installation according to our detailed mounting instructions, see www.stilum.com

