

# DATA SHEET MULTIPLAY ASCENDO 1A ROBINIA

Text for invitation to tender | Item No: 51 7501 601



## MATERIALS | SCOPE OF SUPPLY

Multiplay, final installation on location

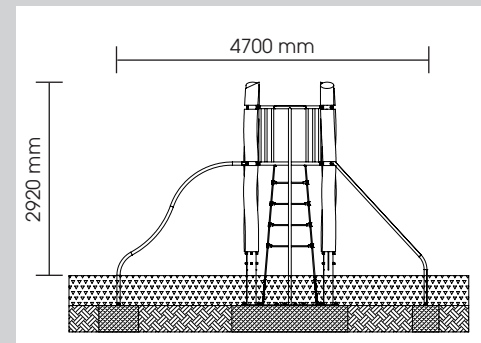
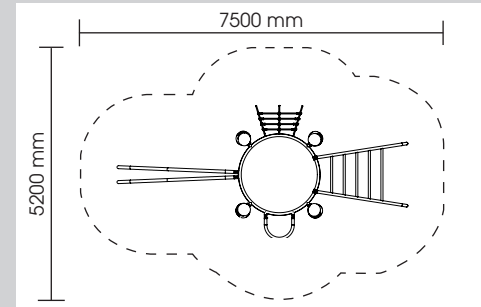
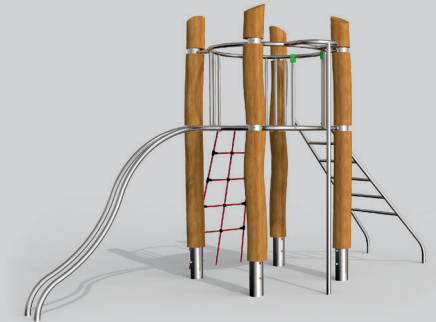
Tower:	robinia post, 4 pieces, with steel plateau which surface is made of EPDM granules with rail made of stainless steel, V2A, 1 piece
Pipe connector:	aluminium, 2 pieces
Post shoes:	stainless steel, V2A, 4 pieces
Climbing slant:	stainless steel, V2A, 1 piece
Climbing net:	Herkules rope/plastic, 1 piece
Firemans pole:	stainless steel, V2A, 1 piece
Sliding bow:	stainless steel, V2A, 1 piece
Foundation plates:	steel, coated

## TECHNICAL INFORMATION

Dimensions:

Main dimension:	4700 x 2150 mm
Height:	2920 mm
Weight:	510 kg
Capacity:	acc. to normative requirements
Dimension largest piece:	1460 x 1460 x 3370 mm
Heaviest piece:	400 kg

Max. fall height:	1700 mm
Impact area:	28,97 m <sup>2</sup>
Required safety slabs:	min. 34,00 m <sup>2</sup> (□ 41,25 m <sup>2</sup> )
Required lawn grating:	min. 42,00 m <sup>2</sup> (□ 48,00 m <sup>2</sup> )
Recommended surface material:	sand, wood chip, gravel, synth. impact protection



## INSTALLATION

Foundations: 4  
 Modified installation depth possible (special edition)  
 Installation according to our detailed mounting instructions, see [www.stilum.com](http://www.stilum.com)

Please note the material information in the mounting- and maintenance instruction.

