

DATA SHEET BOUNCING BRIDGE ARCUS

Text for invitation to tender | Item No: 51 4512 401

MATERIALS | SCOPE OF SUPPLY

Balance equipment, final installation on location

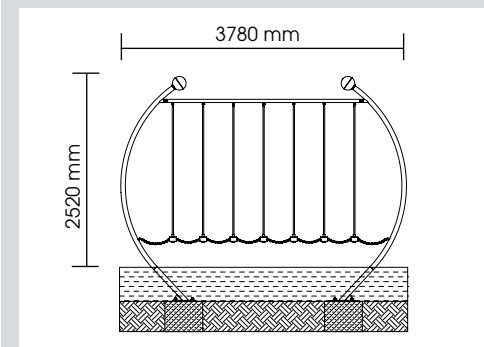
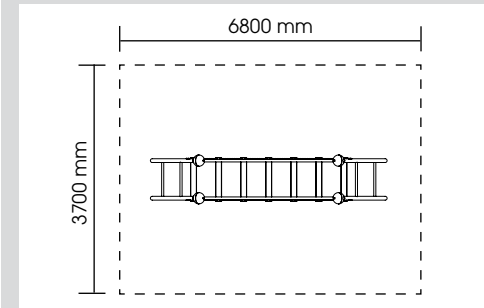
Tubular frame:	stainless steel, V2A, 2 pieces
Connecting pipe:	stainless steel, V2A, 2 pieces
Tube end caps:	balls made of EPDM granules, 4 pieces
Bouncing bridge:	steps made of larch wood, 7 pieces, with hercules ropes and stainless steel chains
Foundation plate:	steel, coated

TECHNICAL INFORMATION

Dimensions:

Main dimension:	3780 x 780 mm
Height:	2520 mm
Weight:	190 kg
Capacity:	acc. to normative requirements
Dimension largest piece:	985 x 900 x 2970 mm
Heaviest piece:	71 kg

Max. fall height:	400 mm
Impact area:	25,16 m ²
Required safety slabs:	28,00 m ²
Required lawn grating:	28,00 m ²
Recommended surface material:	optional



INSTALLATION

Foundations: 2

Modified installation depth possible
(special edition)

Installation according to our detailed mounting
instructions, see www.stilum.com

