

# DATA SHEET WATERPLAY AQUA

Text for invitation to tender | Item No: 511510401



## MATERIALS | SCOPE OF SUPPLY

Waterplay, pre-mounted completely

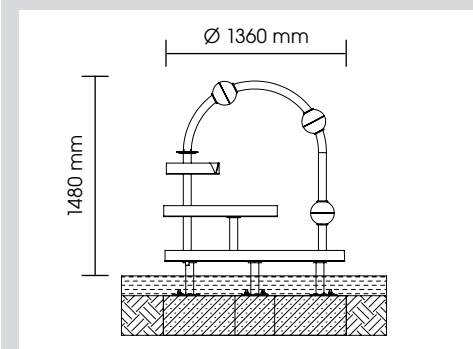
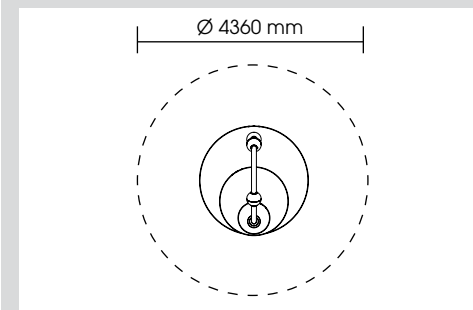
Water bowls:	stainless steel, V2A, 3 pieces
Water bowl small:	stainless steel, V2A, 1 piece
Water supply:	stainless steel, V2A, 1 piece
Balls:	EPDM granules, 3 pieces
Foundation plate:	steel, coated

## TECHNICAL INFORMATION

Dimensions:

Main dimension:	Ø 1360 mm
Height:	1480 mm
Weight:	128 kg
Capacity:	acc. to normative requirements
Dimension largest piece:	Ø 1360 x 1630 mm
Heaviest piece:	128 kg

Minimum space:	Ø 4360 mm
Recommended surface material:	optional The ground must be smooth and free of edges



## INSTALLATION

Foundations: 1

Installation according to our detailed mounting instructions, see [www.stilum.com](http://www.stilum.com)

