

# DATA SHEET SPRINGRIDER ALTUS 1 FLOWER

Text for invitation to tender | Item No: 51 3020 403



## MATERIALS | SCOPE OF SUPPLY

Springrider, pre-mounted completely

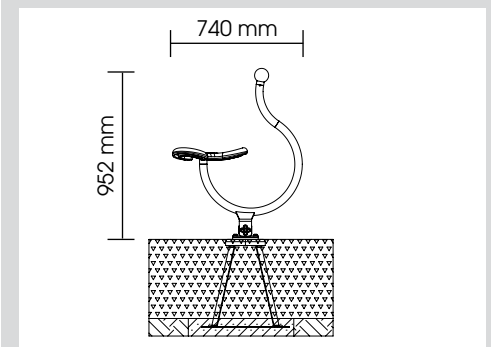
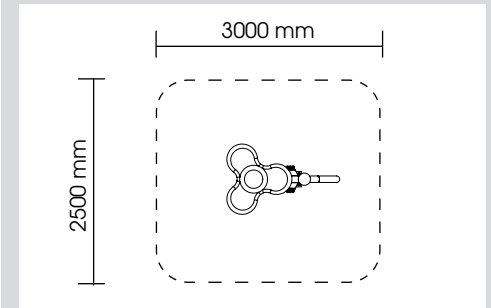
Tubular frame:	stainless steel, V2A, with ball made of EPDM caoutchouc, 1 piece
Spring:	torsion spring made of steel with rubber core, 1 piece
Flower seat:	EPDM caoutchouc with steel inlay, 1 piece
Foundation anchor:	galvanized steel

## TECHNICAL INFORMATION

Dimensions:

Main dimension:	740 x 460 mm
Height:	952 mm
Weight:	25 kg
Capacity:	acc. to normative requirements
Dimension largest piece:	740 x 500 x 1450 mm
Heaviest piece:	25 kg

Max. fall height:	500 mm
Impact area:	6,64 m <sup>2</sup>
Required safety slabs:	7,50 m <sup>2</sup>
Required lawn grating:	9,00 m <sup>2</sup>
Recommended surface material:	grass, sand, wood chip, gravel, synth. impact protection



## INSTALLATION

Foundations: 1  
Modified installation depth possible (special edition)  
Installation according to our detailed mounting instructions, see [www.stilum.com](http://www.stilum.com)

