

DATA SHEET TODDLER ELEMENT MARIE

Text for invitation to tender | Item No: 51 5555 401

MATERIALS | SCOPE OF SUPPLY

Toddler element, pre-mounted completely

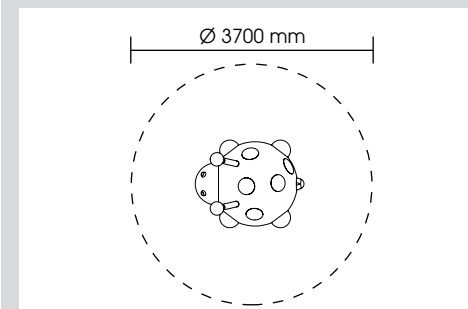
Body:	half globe with head and feet made of EPDM granules, 1 piece
Handle:	stainless steel, V2A, with ball made of EPDM caoutchouc, 2 pieces
Eyes:	plastic, 2 pieces
Foundation plates:	galvanized steel

TECHNICAL INFORMATION

Dimensions:

Main dimension:	520 x 645 mm
Height:	620 mm
Weight:	35 kg
Capacity:	acc. to normative requirements
Dimension largest piece:	520 x 645 x 700 mm
Heaviest piece:	35 kg

Max. fall height:	300 mm
Impact area:	10,75 m ²
Required safety slabs:	16,00 m ²
Required lawn grating:	16,00 m ²
Recommended surface material:	grass, sand, wood chip, gravel, synth. impact protection



INSTALLATION

Foundations: 1

Arrangement on grade possible but without fixing.

Installation according to our detailed mounting instructions, see www.stilum.com

