

DATA SHEET SPRINGRIDER KLEMENS

Text for invitation to tender | Item No: 51 3019 401

MATERIALS | SCOPE OF SUPPLY

Springrider, pre-mounted completely

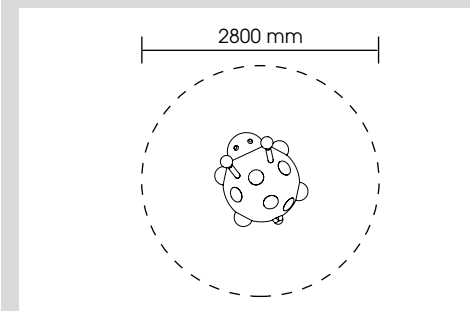
Body:	EPDM granules with steel inlay, 1 piece
Handle:	stainless steel, V2A, with ball made of EPDM caoutchouc, 2 pieces
Spring:	spring steel Ø 20 mm Ø 200 x 200 mm height, 1 piece
Eyes:	plastic, 2 pieces
Foundation anchor:	galvanized steel

TECHNICAL INFORMATION

Dimensions:

Main dimension:	645 x 520 mm
Height:	830 mm
Weight:	50 kg
Capacity:	acc. to normative requirements
Dimension largest piece:	645 x 650 x 1330 mm
Heaviest piece:	50 kg

Max. fall height:	500 mm
Impact area:	6,16 m ²
Required safety slabs:	9,00 m ²
Required lawn grating:	9,00 m ²
Recommended surface material:	grass, sand, wood chip, gravel, synth. impact protection



INSTALLATION

Foundations: 1
Modified installation depth possible
(special edition)

Installation according to our detailed mounting instructions, see www.stilum.com

