

DATA SHEET CLIMBING ELEMENT ERIKA

Text for invitation to tender | Item No: 51 5552 401

MATERIALS | SCOPE OF SUPPLY

Climbing equipment, pre-mounted completely, alignment on foundation on location necessary

Climbing arc small: stainless steel, V2A, with surface made of EPDM granules, 1 piece

Climbing arc big: stainless steel, V2A, with surface made of EPDM granules, and 6 balls made of EPDM caoutchouc, 1 piece

Learning element: stainless steel, V2A, with surface made of EPDM granules, and 8 balls made of EPDM caoutchouc, 1 piece

Tube end cap: balls made of EPDM granules, 2 pieces

Foundation plates: steel, coated

TECHNICAL INFORMATION

Dimensions:

Main dimension: 4410 x 1120 mm

Height: 845 mm

Weight: 170 kg

Capacity: acc. to normative requirements

Dimension largest piece: 1140 x 1040 x 580 mm

Heaviest piece: 68 kg

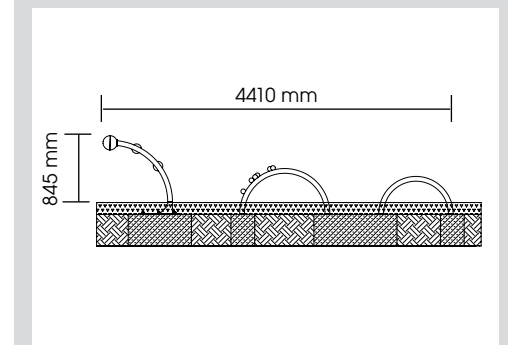
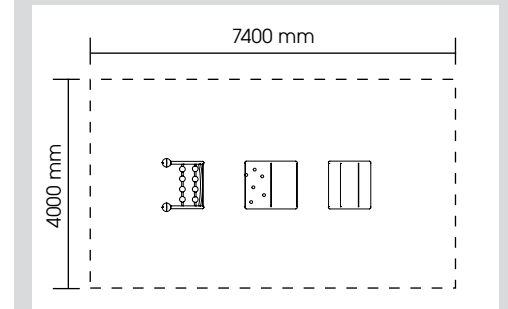
Max. fall height: 900 mm

Impact area: 29,60 m²

Required safety slabs: 30,00 m²

Required lawn grating: 32,00 m²

Recommended surface material: grass, synth. impact protection



INSTALLATION

Foundations: 4

Modified installation depth possible (special edition)

Installation according to our detailed mounting instructions, see www.stilum.com

